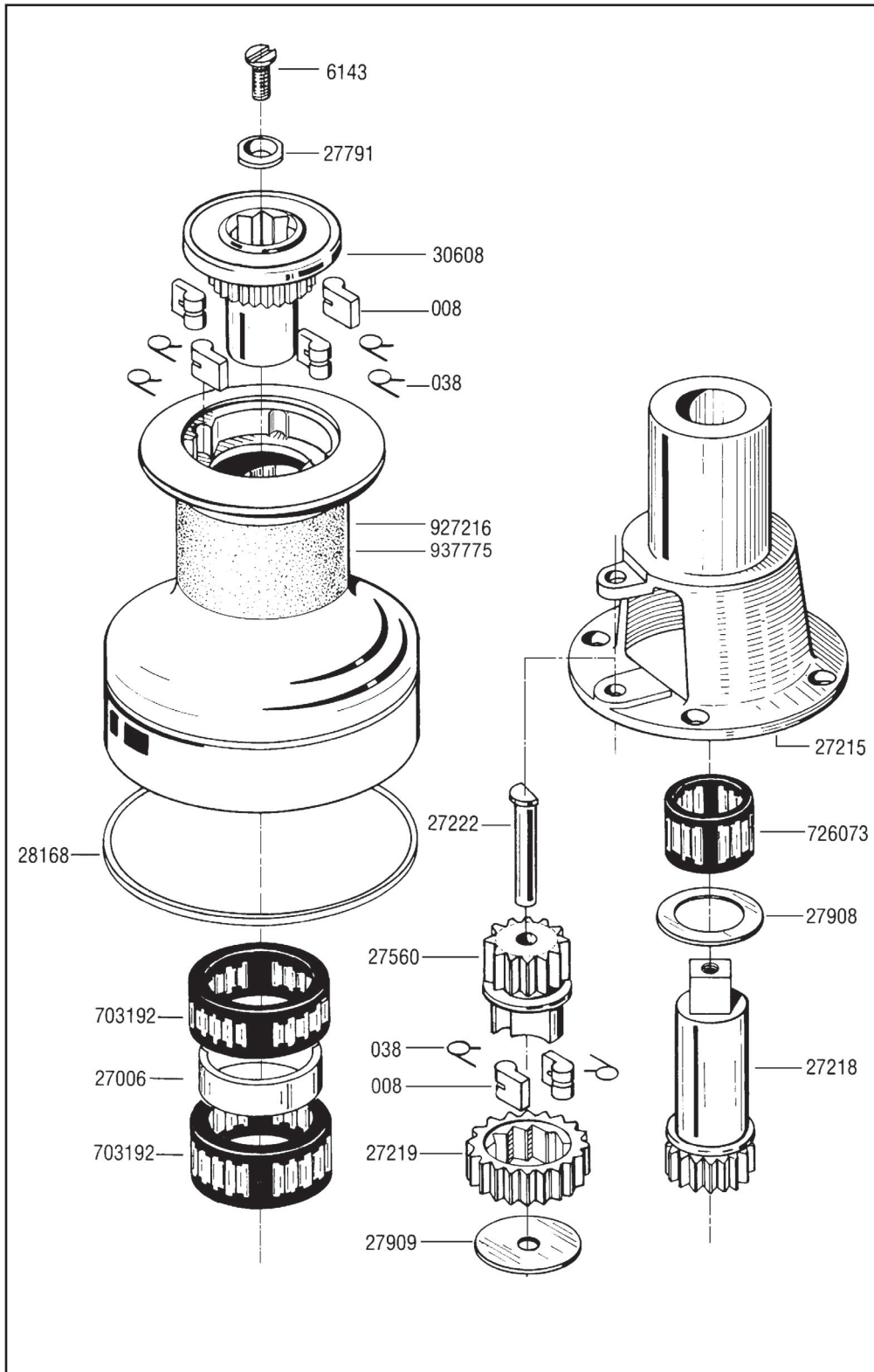


32.2

Two Speed Winch

Winch Parts Installation Service

HARKEN®



Required Tools

Screwdriver
Plastic Head Hammer or Mallet
Small Knife
Brush
Rags
Solvent
Oil
Grease

Parts List

008	Pawl
038	Pawl Spring
6143	Top Screw
27006	Bearing Spacer
27215	Center Stem
27218	Spindle
27219	Ratchet Gear
27222	Gear Shaft
27560	Pawl Gear
27791	Plastic Washer
27908	Washer
27909	Cover Plate
28168	Red Line Ring
30608	Ratchet Head
703192	Bearing
726073	Bearing
927216	Aluminum Drum
928534	Bronze Drum

Suggested Service Kits

BK4512	10	008 Pawls
	10	038 Springs
BK4513	100 ml	Grease

When ordering parts, please include a "B" before each number (i.e. B008)

Service winch before the sailing season begins and once during.

■ **Installing Winch**

- Make sure mounting surface is flat
- Check sheet entry angle. Should be at least 8° (see drawing)
- Open winch
- Position winch on deck with drive gear where sheet enters winch drum and mark holes
- Remove winch and drill holes
- Mount using five (5) 1/4" (6 mm) flathead machine screws
- Apply bedding compound and bolt winch to boat
- Clean excess bedding compound from base drain holes
- Lubricate and close winch

■ **Opening Winch**

- Remove top screw
- Lift off drum

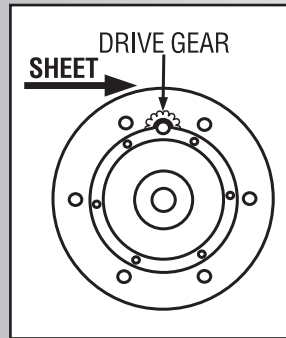
■ **Servicing Winch**

- Remove pawls and springs – service as below
- Remove bearings, gear shaft and gears
- To reach interior shaft bearing, winch must be removed from deck
- Clean all parts with rags and solvent
- Use a brush to lubricate all moving parts lightly with grease
- Replace pawls and springs and lubricate lightly with oil
- Reassemble and close winch

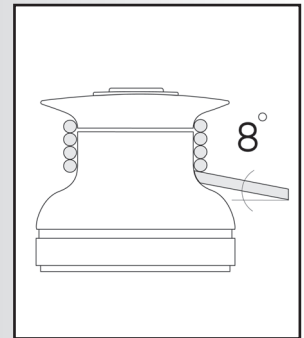
■ **Servicing Pawls**

- Catch spring with knife and hold against pawl
- Lift out pawls
- Clean and check for wear
- Lubricate pawls using oil
- Place spring against pawl with straight leg against pawl
- Hold spring closed and slip pawl into pawl socket

Mounting

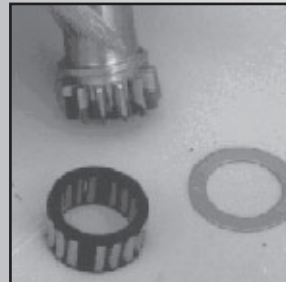


Position drive gear where sheet enters winch drum.

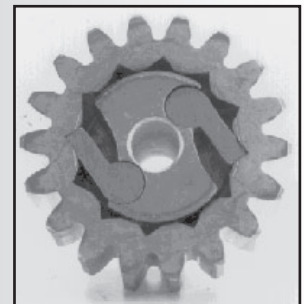


Sheet entry angle must be at least 8°.

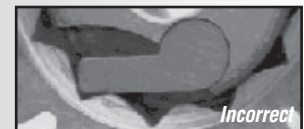
Servicing Winch



Clean all parts with solvent.

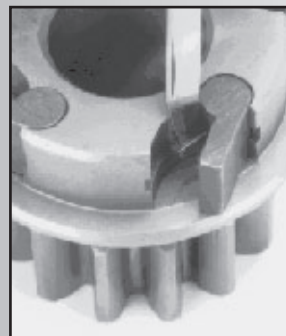


Use a brush to spread a light, even coat of grease.

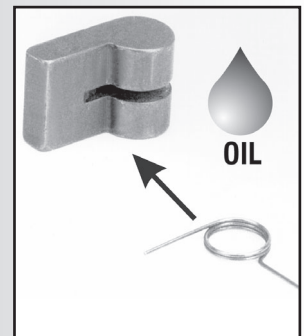


If ratchet gear is mounted backwards, winch will slip.

Servicing Pawls



Use knife to free captive spring.



Insert spring with straight leg against pawl. Use oil for lubrication.

4464/10-04



HARKEN